



governmentattic.org

"Rummaging in the government's attic"

Description of document: **Minutes from United States Marine Corps (USMC) Joint Non-Lethal Weapons Directorate Non-Lethal Weapons Joint Acquisitions Group (NLW JAG) 97-02 Meeting-GS, 5 September 1997**

Requested date: 06-October-2007

Released date: 15-November-2007

Posted date: 02-June-2009

Source of document: US Marine Corps Systems Command
Commanding General
LAW
2200 Lester Street, Suite 120
Quantico, VA 22134
Email: bobbie.cave@usmc.mil
Fax: 703-432-3483

The governmentattic.org web site ("the site") is noncommercial and free to the public. The site and materials made available on the site, such as this file, are for reference only. The governmentattic.org web site and its principals have made every effort to make this information as complete and as accurate as possible, however, there may be mistakes and omissions, both typographical and in content. The governmentattic.org web site and its principals shall have neither liability nor responsibility to any person or entity with respect to any loss or damage caused, or alleged to have been caused, directly or indirectly, by the information provided on the governmentattic.org web site or in this file. The public records published on the site were obtained from government agencies using proper legal channels. Each document is identified as to the source. Any concerns about the contents of the site should be directed to the agency originating the document in question. GovernmentAttic.org is not responsible for the contents of documents published on the website.



UNITED STATES MARINE CORPS
MARINE CORPS SYSTEM COMMAND
2200 LESTER STREET
QUANTICO, VIRGINIA 22134-5010

IN REPLY REFER TO:
5720
LAW/BCC
MCSC200800027
15 NOV 07

This responds to your Freedom of Information Act (FOIA) request dated October 6, 2007, for a copy of "Minutes from NLW JAG 97-02 Mtg on 5 Sept 1997."

The requested document is enclosed.

Fees will be assessed upon completion of the last document processed under your October 6, 2007 request.

Any questions concerning this matter should be directed to Mrs. Bobbie Cave at (703) 432-3934 or bobbie.cave@usmc.mil.


J. B. BENNETT
Counsel



UNITED STATES MARINE CORPS
 JOINT NON-LETHAL WEAPONS DIRECTORATE
 3097 RANGE ROAD
 QUANTICO, VIRGINIA 22134-5100

5000
 NLWD 97-32
 9 Sep 97

From: Joint Non-Lethal Weapons Directorate
 To: Distribution List

Subj: MINUTES FROM NON-LETHAL WEAPONS JOINT ACQUISITIONS GROUP (NLW JAG) 97-02 MEETING ON 5 SEPTEMBER 1997

Encl: (1) List of Attendees
 (2) JAG Briefing Slides
 (3) Summary of Taskings

1. The principals from the Non-Lethal Weapons Joint Acquisitions Group (NLW JAG) met at the Headquarters Building, Marine Corps Systems Command, Quantico, Virginia, on 5 September 1997. Mr. Larry Kreitzer, Executive Director, MARCORSYSCOM (representing MajGen Williams) served as Chairman of the JAG. A list of attendees is at Enclosure (1).

2. The purpose of the meeting was to review the status of the Joint NLW efforts since the last JAG meeting and to gain the JAG principal's concurrence with:

- a. the funding plan for the FY98/FY99 Technology Investment Program (TIP) and
- b. the Joint NLW POM Working Group's (PWG's) recommendation for POM-00.

This JAG meeting followed a similar meeting with the Joint Concept and Requirements Group (JCRG) held on 3 September 1997 and was a prelude to the Joint NLW Integrated Product Team (IPT) meeting to be held on 16 September 1997.

3. Ms Susan LeVine presented a briefing on the status of Joint NLW program, the results of the Joint Technology-Investment Proposal Review Panel, and the results of the Joint NLW PWG. The following summarizes her remarks:

- a. The Joint NLW Program has made significant progress since the last JAG meeting:
 - * The Joint NLW Directorate has been established
 - * The Joint NLW Concept is ready for the NLW Executive Agent's signature
 - * The Joint NLW Master Plan is in "working-level" staffing
 - * Progress is being made on Joint ORDs (and in line with the Concept-Based Requirements System (CBRS))
 - * The Joint TIP Review Panel and the Joint NLW PWG met and prepared recommendations

b. Her briefing slides are Enclosure (2).

4. Ms LeVine then presented the results of the Joint NLW TIP Review Panel and the Joint NLW PWG for the JAG's approval. Those briefing slides are also included as part of Enclosure (2). The following summarizes her remarks:

a. **FY98 Technology Investment Program.** "*Technology Investment*" is one of the five major funding categories for the Joint NLW Program. While the TIP is intended to solicit input from government laboratories, civilian industry, and academia, because of time constraints for FY98 funding, the call for proposals for FY98 funding was limited to government laboratories only. Note: the NLW IPT previously approved spending \$750,000 on the TIP for FY98 and \$1,500,000 for FY99.

1) The proposals were reviewed by a panel of Integrated Product Team service representatives and chaired by the Joint NLWD. Of the 63 proposals submitted, three were selected for FY98 and FY99 funding.

Proposal	FY98	FY99	Developer
Spider Fiber Entangler	\$74K	\$223K	NSWCDD
NL EM Pulser	\$200K	\$200K	NRL
Odorous Substances	\$135K	\$175K	ERDEC
TOTAL	\$410K	\$598K	
Excess	\$340K	\$902K	

2) Mr. Kreitzer asked for more clarification on the deliverables from the selected programs. Ms. LeVine used three additional slides from the TIP Integrated Product Team's reviews to provide the requested information. After a short discussion on each of the programs, the JAG members concurred with the selection of the three proposals. The JAG also concurred with the JCRG's recommendation to apply \$50,000 of the remaining funding to draft a Broad Area Announcement (BAA) to industry for additional TIP proposals.

3) Ms. LeVine expressed the NLW Director's concern over obligation and expenditure of the remaining \$290,000 if it were held until later in the fiscal year to fund an effort as a result of the BAA proposals. She provided three options for spending the remaining funds (shown on the briefing slides). Mr Wattenbarger expressed an opinion that \$290,000 was very small portion of the annual budget and that holding the funds until later in the fiscal year would not have an adverse impact on achieving DON obligation goals. Capt McGrath expressed a concern that there may be a perception that the NLW Director was funding efforts that did not have JCRG support. Based on the concurrence of the JAG members, Mr Kreitzer directed that the NLW Director hold the remaining \$290,000 and work with the Services to "put some flesh" on the three options for future discussions.

4) Ms LeVine also commented that DDRE believes the current Joint NLW program may be "too requirements" oriented and that the selection of the three technology investment areas may help alleviate some of their concerns.

5) **Decisions** . To summarize, the following decisions were made by the JAG on the Technology Investment Program:

a) Approve funding for the three proposals selected by the TIP.

b) Approve funding \$50,000 to draft BAA to industry.

c) Hold the remaining \$290,000 until results of BAA are evaluated. NLW Director is to "put flesh" on the three options for the remaining funds.

b. **Joint NLW POM-00**. Ms LeVine informed the JAG principals that the Joint NLW PWG developed the Joint NLW POM-00 based on the annual funding levels contained in PBD 719 (escalated by 2.4% inflation for FY04 and FY05) built around seven areas:

- * EA/Directorate Support
- * Service Project Management Support
- * Modeling & Simulation
- * Experimentation
- * Technology Investment
- * Service Tech Base & Acquisition Programs (12 programs)
- * New Initiatives (5 programs)

1) A detailed funding breakout by program/by fiscal year was presented to the JAG principals. In addition, Ms LeVine provided two pie charts showing the relative percentages of funding to each of the seven general areas and the breakout of programs within the Technology Base area. See briefing charts at Enclosure (2).

a) Capt Marchesseault asked if the NLW POM-00 was "at risk" within the Marine Corps if the Services POMs did not contain NLW procurements. Mr Kreitzer indicated that the NLW POM would not be at risk within the Marine Corps but would likely be at risk at OSD.

b) Mr Haywood asked if the "Program Management" line would be based on *pro-rata* share for each Service. Ms LeVine indicated that the Director did not have a plan for those funds yet, but that he envisions that each Service will receive a share of those funds. Mr Haywood indicated that the USMC NLW POM-00 submission contained their request for \$50,000 per year for the Marine Corps. He also requested confirmation that the Marine Corps' request for funding for participating in 10 of the 14 programs was included in the proposed NLW POM-00 lines. Ms LeVine indicated that it was.

c) Mr Haywood asked if it was possible to "fence \$300,000 - \$400,000" of the experimentation and technology investment lines for long range NLW applications and the study of layered defense for force protection areas. He acknowledged that the concept-based requirements process should play the leading role in these areas. Although the JAG members agreed not to "fence" funds for these areas, there was agreement that the Joint NLW effort should probably mature in that direction.

d) Capt McGrath expressed concern over proceeding with an acoustics R&D program while we were still working on the bio-effects study. Ms LeVine stated that a decision had been made to continue with some level of effort for acoustics source development while the bio-effects study was underway. Mr Wattenbarger expressed a strong desire to get the bio-effects questions answered. This led to a general discussion on the process to ensure that each program had well-defined deliverables and were managed to well-defined plans. Capt McGrath expressed concern over the "continuity of certain programs". He explained that he sees some programs where the "stake in the ground" for exiting R&D is lifting a little (e.g. believes these programs should be transitioning to production earlier than shown in the POM-00 proposal). Three action items were generated from these discussions:

1) In order to track the schedules for transitioning from tech base into DEMVAL/EMD and to ensure that the "stakes remain in the ground", it is necessary to implement some form of a system for tracking commitments (to the Joint NLW leadership) made by the operating or performing activities and to record the decisions and guidance from the NLW leadership committees to the performing agencies.

2) Specific interest was shown in the Vortex Ring Gun, Foam Applications, and Acoustics. Mr Kreitzer directed that the Joint NLW Director work with the Army's Program Manager to define exit criteria for each of these programs in their current phase of acquisition.

3) The JAG members need to receive detailed briefings on the specific programs in order to provide appropriate oversight and guidance (estimated to take an entire day). Mr Kreitzer requested that these briefing be made available during the month of October 1997.

e) Capt Marchesseault called attention to the slide showing the funding for the POM years in a 6.3 line and asked if the NLW POM-00 submission would include other funding lines. Ms LeVine indicated that it would cover the range of 6.2 through 6.5.

f) Ms LeVine described the NLW PWGs interest in furthering the Joint NLW program by including five new initiatives. She described each in general terms.

1) Mr Haywood asked if the Advanced Kinetics line would include all caliber. Ms LeVine indicated that the program was not defined at this point, but it would be open to Joint Service interests in all caliber.

2) Mr Haywood expressed a Marine Corps interest in becoming the Service-lead organization for the Capability Sets and asked if other JAG members had any objections. All members expressed support for the Marine Corps lead.

3) Mr Kreitzer indicated a desire to combine the UGV Payload Integration and the UAV Hovering funding lines into one line and renaming it "Advance Vehicle NLW Applications". He explained that this was not to eliminate either program, but to strengthen both programs by allowing better definition and flexibility. All members of the JAG concurred.

f) After looking at the breakout of tech base efforts, Mr Kreitzer questioned the portion of funding allocated to acoustics. His concern was over possibly losing a major portion of the tech base funding - if the bio-effects studies does not support continuing the acoustics efforts. Capt McGrath expressed a similar concern over still working on the same tech base efforts (Vortex Ring Gun/Foams) throughout the POM years. Members of the JAG agreed that we need to look for new areas of tech base work. This generated a discussion on the process for selecting technology investment areas in the TIP. The consensus was that requirements people might not have the best backgrounds for selecting technology investment areas. Mr Levengood indicated the Army has an excellent process that could be used as a model for balancing the proper backgrounds in selecting the science and technology investment areas. Mr Kreitzer suggested that the Joint NLWD look into this model.

2) **Decisions**

a) All Services concurred with the proposed Joint NLW POM-00.

b) The UGV Payload Integration and the UAV Hovering lines will be combined into one line titled "Advanced Vehicle NLW Applications".

6. **Taskings**. See Enclosure (3).

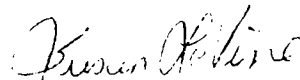
7. **Other topics**. Mr Kreitzer asked for other discussion items. Ms Price identified three items:

a. She indicated her desire that all funding for Army-led programs be sent through a single program office (to be defined). The NLWD staff agreed to work with the MARCORSSYSCOM Comptroller on this issue.

b. She expressed concern over the Joint NLW Technology Assessment efforts. She suggested that the credentials of any NLW technology assessment panel should be presented to the JAG for approval before NLW technology assessments begin. Ms LeVine pointed out that the Director's program was not an assessment of ongoing NLW programs but was a broader assessment of the backgrounds and merits of certain technologies.

c. She expressed an interest in reviewing the various Joint NLW oversight committees, their composition, and their functions, as set forth in the Joint Service Memorandum of Agreement. Ms LeVine indicated the Director's interest in doing this and that the Joint Service MOA contained the tasking to review the MOA on an annual basis. Ms. LeVine indicated that the Director would likely bring this topic up at the next IPT meeting. Ms Price indicated that she wanted the effort to begin. All members of the JAG concurred.

d. There were no other topics to discuss, so the meeting was adjourned.



Susan LeVine

Director, Non-Lethal Coordination Cell

Distribution List:

All Attendees

OSD (A&T) Office of Munitions

OSD (Policy) SO/LIC

HQDA DAMO-FD

ARDEC

NSWCDD

Phillips Laboratory

Armstrong Laboratory

LIST OF ATTENDEES

Marine Corps

Mr Larry Kreitzer, Executive Director, MARCORSYSCOM
Mr Dan Haywood, Program Manager, Infantry Weapons

Army

Ms Renata Price, Army Material Command, Alexandria, VA
Mr Larry Levengood, Army Material Command, Alexandria, VA
Maj Bernt Pielmeir, US Army Dismounted Battlespace Battle Lab, Ft. Benning, GA

Navy

Capt Tom McGrath USN, Assistant Secretary of the Navy (RDA Expeditionary Forces)
Mr Kelly Donegon, CNO (OPNAV N851)

Air Force

Col Kevin J. O'Connor, SAF/AOPS
Capt Wes Marchesseault

Special Operations Command

Mr Frank Wattenbarger, SOAC

Joint Non-Lethal Weapons Directorate

Mr Terry Wright, Deputy Director, Joint NLW Directorate
Ms Susan LeVine, Head, Joint NLW Program Coordination Cell
Mr Kevin Stull, Joint NLW Program Coordination Cell

Enclosure (1)



Joint Acquisition Group Meeting

5 Sept 97

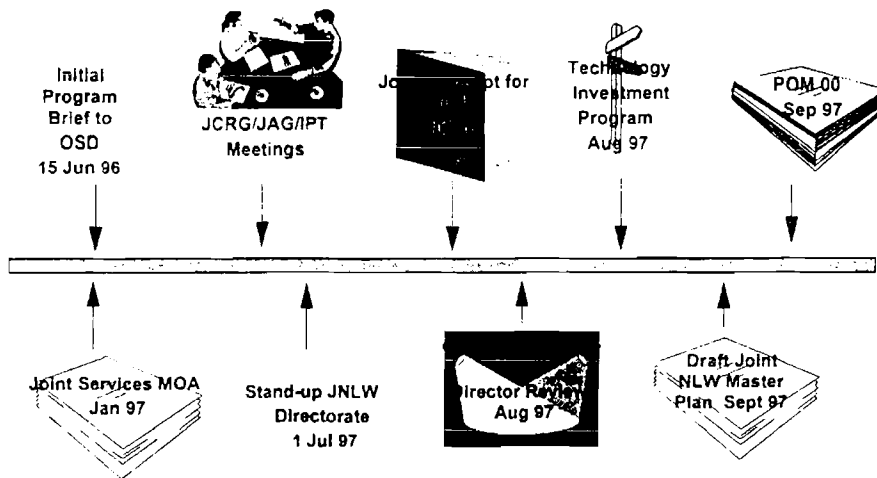
Agenda



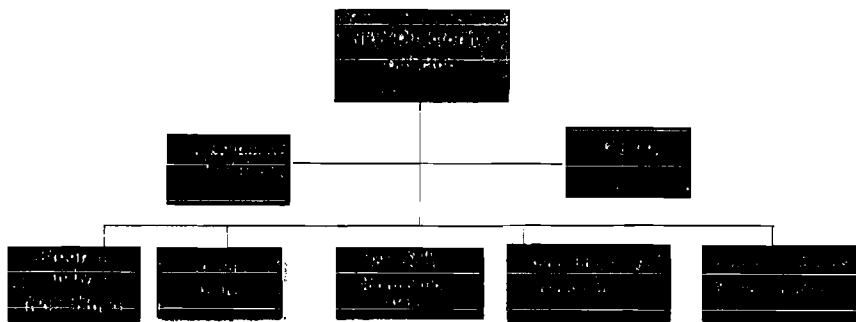
- Directorate Update
- Program Update
 - ▶ FY 97 Highlights
 - ▶ FY 98 Plans
- Documentation Update
 - ▶ Master Plan
 - ▶ ORDs
- Technology Investment Program Recommendations
- POM-00 Content

Director, Joint Non-Lethal Weapons

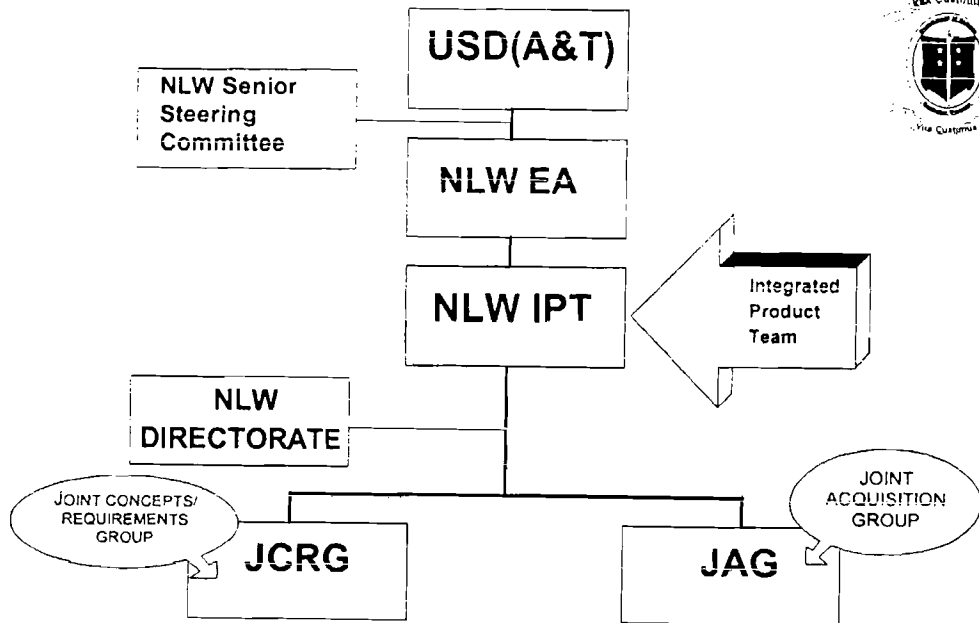
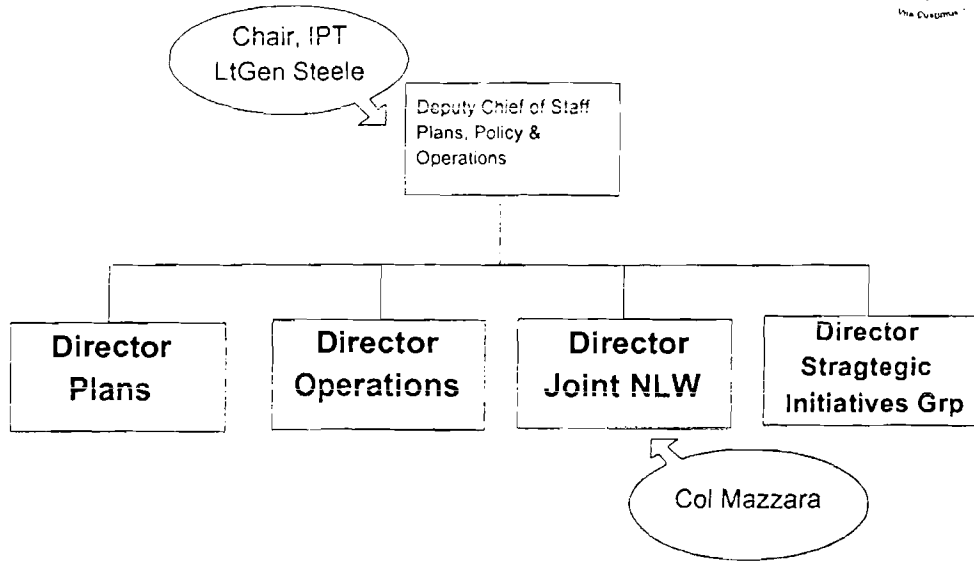
Course & Speed



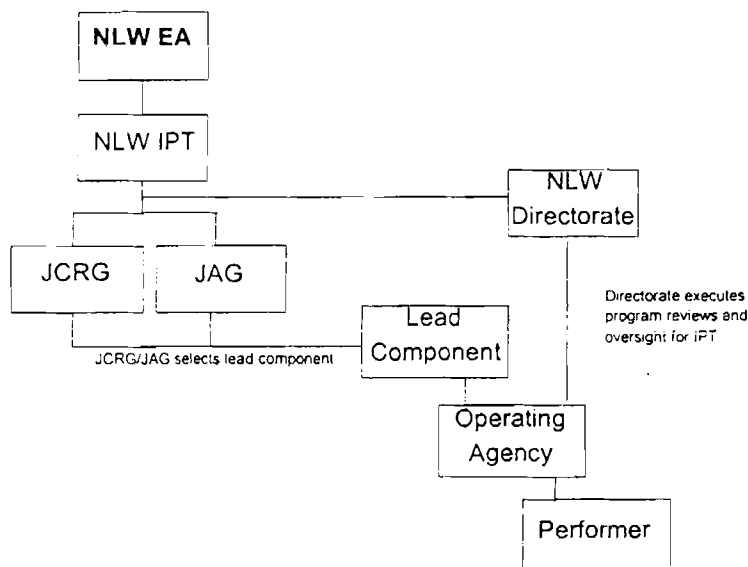
The Joint NLW Directorate



USMC as Executive Agent



NLW Management Structure



NLW Organizational Structure

Directorate Responsibilities



- **Perform day-to-day Activities for EA**
- **Manage Joint Funding Lines**
- **Liaison w/DoD, OGAs, and foreign governments**
- **Publish Master Plan**
- **Assist in POM Development**
- **Monitor Execution of DoD NLW Program**
- **Monitor Service-unique Programs**
- **Promote Exchange among Services**

Director, Joint Non-Lethal Weapons

//

FY97 Program Highlights



- Directorate Standup
- Kick-off of Technology Investment Program
- User's Conferences
 - Foams
 - Ground Vehicle Stoppers (10-11Sept)
- Service War College Projects
- Website
- POM-00 Development

Director, Joint Non-Lethal Weapons

FY98/99 Program Budget



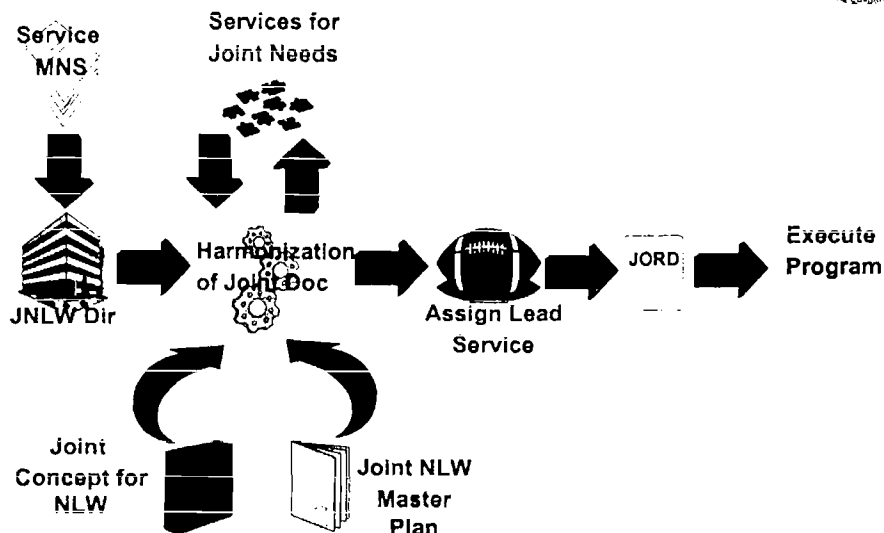
Activity	FY98	FY99
Directorate	964	964
Experimentation	1000	1400
Modeling & Simulation	1100	1540
Technology Investment	750	1500
Service RDT&E Programs	12993	18111
TOTAL	16807	23515

FY98 / 99 Service Program List



JCRG Priority	Project Title	FY98	FY99	Developer
1	NL Crowd Dispersal(M203)	605	670	ARDEC
2	Acoustic Bio-Effects	1010	1730	ARDEC (with Armstrong Labs)
3	MCCM (NL Claymore)	1130	0	ARDEC
4	Stoppers			
	a. Ground	1050	1200	ARDEC (with ARL)
	b. Maritime	1050	1200	NSWCDD
5	Speed Bump (Net)	1000	1700	ARDEC
6	Active Denial Technology	2100	5263	Phillips Lab
7	66mm Vehicle Launched Payloads	640	600	ARDEC (with ERDEC)
8	UAV NL Payloads	600	1100	NSWCDD
9	Bounding NL Munition	950	1600	ARDEC
10	Canister Launched Area Denial System (CLADs)	1260	1000	ARDEC
11	Foam Applications	300	198	ARDEC (with ERDEC)
12	Acoustic Generators	500	700	ARDEC
13	Vortex Ring Gun	458	500	ARDEC (with ARL)
14	Under Barrel Tactical Payload Delivery System	340	650	ARDEC
	TOTAL	12993	18111	

CONCEPT-BASED REQUIREMENTS PROCESS



The Joint NLW Concept



"Guiding Principles"

- ★ Leverage High Technology
- ★ Enhance Operations
- ★ Augment Deadly (Lethal) Force
- ★ Provide Rheostatic Capability
- ★ Focus on Tactical Applications
- ★ Expeditionary
- ★ Acceptable
- ★ Reversible Effects

Director, Joint Non-Lethal Weapons

The Joint NLW Concept



"Core Capabilities"

- Counter-Personnel
 - Crowd Control
 - Incapacitate Individuals
 - Deny Access
 - Clear Facilities/Structures
- Counter-Materiel
 - Area Denial (land, sea and/or air space)
 - Disable/Neutralize Equipment or Facilities

Director, Joint Non-Lethal Weapons

Documentation Update



- ✓ **Joint NLW Concept**
 - ✓ **Ready for EA Signature**

- ✓ **Joint NLW Master Plan**
 - ✓ **In Working Level Staffing**

- ✓ **Joint Operational Requirement Documents**

Director, Joint Non-Lethal Weapons

JORD Status



JCRG Priority	Program Title	Lead Service (ORD only)	Comments
1	NLCrowd Dispersal	USA	ORD in progress, due 1QFY98
2	Acoustic Bio-Effects	N/A	
3	MCCM	USA	ORD in progress
4	Stoppers		
	a. Ground	USMC	ORD in progress
	b. Maritime	USN	ORD in progress
5	Speed Bump (Net)	USA	ORD in progress
6	ActiveDenial Technology	USMC	ORD in progress
7	66mm Vehicle Launched Payloads	USA	Mod to Existing ORD
8	UAV NL Payloads	USN	ORD in progress
9	Bounding NL Munition	USA	ORD in progress
10	CLADs	USA	ORD in progress
11	Foam Application	USA/USMC	ORD in progress
12	Acoustic Generators	N/A	Too early for ORD
13	Vortex Ring Gun	USA	Too early for ORD
14	Under Barrel Tactical Payload Delivery System	USA	ORD in progress

Technology Investment Program



- Objective:
 - ▶ Stimulate government laboratories, industry, and academia in generating new technology solutions to meet current or future nonlethal mission needs and requirements
- Approved funding (per IPT 97-3)
 - ▶ FY98: 750K
 - ▶ FY99: 1500K
- Process:
 - ▶ Call for Proposals
- Joint Service Review Panel makes recommendations for JCRG/JAG approval

Director, Joint Non-Lethal Weapons

Technology Investment Recommendations



- 63 Proposals Received
- Joint Service Review Panel
 - USMC: Mr. Larry Willard (MCCDC)
 - USN: CAPT Rieve (N851)
 - USAF: Capt Marchessault (SAF/AQPS)
 - USA: Mr. Schiros (DBBL)
 - USSOCOM: Mr. Randy Murphy (SOAC)
- Panel Recommendations
 - Fund the following proposals:

Proposal	FY98	FY99	Developer
Spider Fiber Entangler	75	223	NSWCDD
NL EM Pulser	200	200	NRL
Odorous Substances	135	175	ERDEC
TOTAL	410	598	
Excess	340	902	

JAG DECISION REQUEST



■ Approval For Funding 3 Technology Investment Proposals:

- | | | | | |
|-----------|-------|--------|-------|-----------|
| ▶ USMC | _____ | Concur | _____ | Nonconcur |
| ▶ USA | _____ | Concur | _____ | Nonconcur |
| ▶ USAF | _____ | Concur | _____ | Nonconcur |
| ▶ USN | _____ | Concur | _____ | Nonconcur |
| ▶ USSOCOM | | Concur | | Nonconcur |

Residual Recommendations



- Of \$340K remaining:
 - ▶ Use \$50K of FY98 Funds to thoroughly define and draft BAA requirements for potential FY99 funding
 - NL Layered Defense for Force Protection
 - Long range delivery of NL payloads
- Use remaining \$290K of FY98 funds for one of the following proposals:

Director, Joint Non-Lethal Weapons

Tech Investment Program



Residual Funds

Re-allocation:

- **Proposal A - Fund AMC under USMC**
lead for a specifically focused project to develop a NLW APL Alternative (NAAPL)

- **Proposal B - Fund a joint Army/USMC**
effort to enhance/sustain NLW sets

- **Proposal C - Fund experiments at both**
labs for next two TIP projects

Director, Joint Non-Lethal Weapons



Joint NLW POM-00

Joint NLW POM-00



- USD(A&T) Directed USMC to establish an "M" line for Joint NLW RDT&E Funding
- Accordingly, the Joint NLW RDT&E P.E. must be POMed by the USMC
- Joint NLW POM-00 profile must be submitted by 19 Sep 97 to USMC (P&R) for inclusion in USMC POM-00 Core
- A JCRG/JAG POM working group convened 21-22 August to assemble the Joint NLW POM-00 submit
- Completing the Joint NLW POM-00 submission now will allow the Services ample time to work procurement tails, as applicable

Director, Joint Non-Lethal Weapons

POM-00 Timeline



- 1 Aug Kick-off briefing presented to JCRG/JAG Working Group
- 1-15 Aug Services prepare initial cost/schedule estimates for initiatives
- 12 Aug DC/S P&R Brief on POM-00 Formulation Process
- 18 Aug Service input due
- 21-22 Aug JCRG/JAG POPM Working Group
- 3 Sep JCRG Review
- 5 Sep JAG Review
- 16 Sep IPT briefed on "DRAFT NLW POM-00"
- 19 Sep DC/S PP&O submits "DRAFT NLW POM-00" to DC/S P&R after briefing the NLW EA

Director, Joint Non-Lethal Weapons

Joint NLW RDT&E Funding Profile



	FY00	FY01	FY02	FY03	FY04	FY05
P.E. 63851M	24681	25289	25896	26503	27139	27790

**FY00 - 03: Per PBD 719
FY04-05: 2.4% Inflation Rate**

PROPOSED JOINT NLW POM-00



	00	01	02	03	04	05
EA/Directorate Support	993	1012	1037	1063	1090	1117
Project Management Support	200	200	300	300	300	300
Modeling & Simulation	1393	1613	1689	1893	2269	3733
Experimentation	2000	2000	2100	2150	2200	2260
Technology Investment	750	1025	1050	1077	1100	1300
Service Tech Base & Acquisition Programs	17320	16379	15150	15650	18880	17530
New Initiatives	2025	3010	3910	4320	1350	1350
TOTAL	24681	25289	25286	26503	27139	27790

20

Joint NLW POM-00



Program List

Program	00	01	02	03	04	05
Nonlethal Crowd Dispersing Round	180					
Ground Vehicle Stoppers	825	525	500	600		
Maritime Vehicle Stoppers	1250	1500	2000	3000	1000	
Active Denial Technology	2560	2650	2930	3130	6930	6330
66mm Systems	1700	1125	1000			
UAV NL Payload Delivery	1000	1000				
Bounding NL Munition	500					
Canister Launched Area Denial System	1550					
Acoustics	4300	6340	7420	7920	10400	10400
Foam Applications	1470	1200	200			
Vortex Ring Gun	1000	1245	1000	1000	500	800
Under Barrel Tactical Payload System	985	794				

Director, Joint Non-Lethal Weapons

Joint NLW POM-00

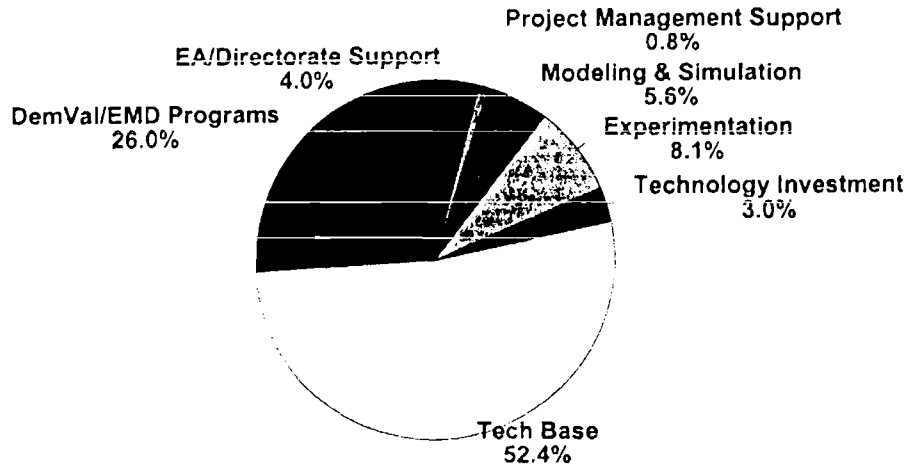


New Initiatives

Program	00	01	02	03	04	05
Improved Capability / Contingency Sets	500	50	50	50	50	50
APLs	475	870	1650	2620		
UGV Payload Integration	0	800	800	500		
Advanced Kinetics	800	820	900	1200	1300	1500
UAV Hovering	250	520	550			

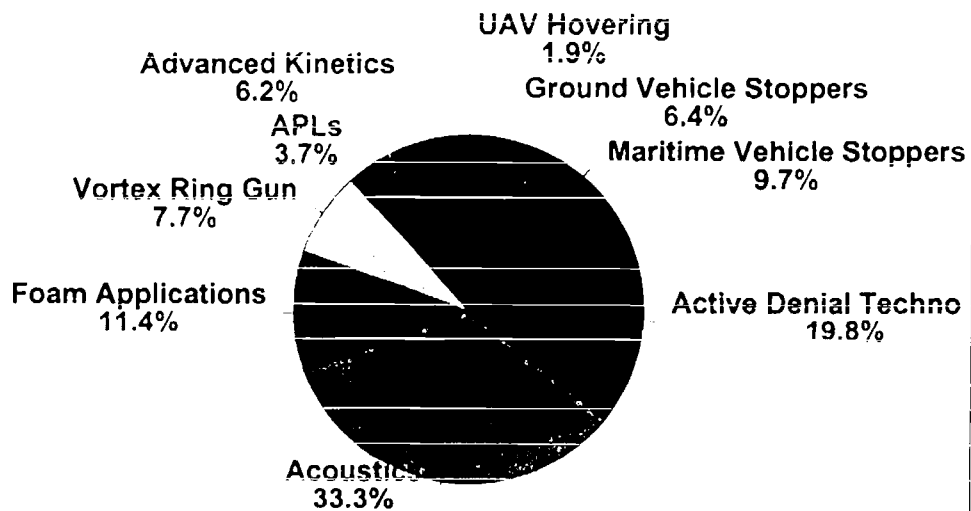
Director, Joint Non-Lethal Weapons

FY00 Overview



Director, Joint Non-Lethal Weapons

FY00 Tech Base Breakout



Director, Joint Non-Lethal Weapons

PROPOSED JOINT NLW POM-00



	00	01	02	03	04	05
EA/Directorate Support	993	1012	1037	1063	1090	1117
Project Management Support	200	200	300	300	300	300
Modeling & Simulation	1393	1613	1689	1893	2269	3733
Experimentation	2000	2000	2100	2150	2200	2260
Technology Investment	750	1025	1050	1077	1100	1300
Service Tech Base & Acquisition Programs	1732 0	16379	15150	1565 0	18880	1753 0
New Initiatives	2025	3010	3910	4320	1350	1350
TOTAL	2468 1	25289	25286	2650 3	27139	2779 0

JAG DECISION REQUEST



■ CONCURRENCE ON POM-00 SUBMIT:

- ▶ USMC ___ Concur ___ Nonconcur
- ▶ USA ___ Concur ___ Nonconcur
- ▶ USAF ___ Concur ___ Nonconcur
- ▶ USN ___ Concur ___ Nonconcur
- ▶ USSOCOM ___ Concur ___ Nonconcur



FINAL COMMENTS/ISSUES ?

1
2

SUMMARY OF TASKINGS

1. The NLWD is to draft and publish a BAA to industry for additional proposals for the TIP.
2. The NLWD is to work with the Services to add details to the three options for spending the remaining \$240,000 of the FY98 TIP funding and to be prepared to present this information at a future meeting of the JAG.
3. The NLWD is to develop a process for tracking program commitments made to the NLW oversight committees and to monitor the execution of specific guidance and decisions made by the NLW oversight committees.
4. The NLWD is to work with the Services to develop specific exit criteria for each of the NLW technology base efforts.
5. The NLWD is to host a briefing for the JAG members on all current Joint NLW programs (in October 1997).
6. The NLWD is to combine the UGV Payload Integration and UAV Hovering funding lines into a single line prior to presenting the Joint NLW POM-00 to the NLW IPT for approval.
7. The NLWD is to look at the process/model for selecting technology investment efforts (to include but not limited to the Army's process for selecting Science and Technology efforts).
8. The NLWD will meet with the MARCORSYSCOM Comptroller to discuss the Army's interest in a single program office for managing the funding for all Army-lead programs.

Enclosure (3)